

# Cuisinart® ASSEMBLY MANUAL



**Cuisinart® Gourmet *INFRARED* 800**

85-3058-4 (G52507) Propane  
85-3059-2 (G52508) Natural Gas

**READ AND SAVE MANUAL FOR FUTURE REFERENCE.**

**Assemble your grill immediately.**

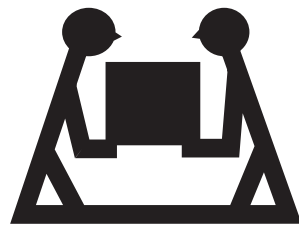
**Missing or damaged parts should be claimed within 30 days of purchase.**

**For product inquiries, parts, warranty and troubleshooting support, please call 1-800-309-3452.**

**[www.cuisinartbbqs.com](http://www.cuisinartbbqs.com)**

**LIMITED 5-YEAR WARRANTY**

Manual Revision #: 11102012 MD



## HEAVY ARTICLE NEEDS 2 TO LIFT

### THIS MANUAL MUST REMAIN WITH THE PRODUCT AT ALL TIMES

To ORDER non-warranty replacement parts or accessories,  
or to register your warranty, please visit us on the web at  
[www.cuisinartbbqs.com](http://www.cuisinartbbqs.com)

#### ⚠ CAUTION

Sharp edges. Wear gloves when assembling your grill.

#### ⚠ CAUTION

Read and follow all safety statements, assembly instructions, use and care directions before attempting to assemble and cook.

#### ⚠ INSTALLER OR ASSEMBLER/CONSUMER

This manual should be kept with the BBQ at all times.

#### ⚠ WARNING

Failure to follow all of the Manufacturer's instructions could result in hazardous fires, explosions, property damage, or serious personal injury or even death.

Follow all leak check procedures carefully prior to operation of barbecue, even if grill was dealer assembled. Do not try lighting this BBQ without reading the Lighting Instructions section of the Safety and Care Manual that accompanies this grill.

#### ⚠ DANGER

- If you smell Gas:
  - Shut off gas to the appliance
  - Extinguish any open flame
  - Open lid
  - If odor continues, keep away from the appliance and immediately call your gas supplier or your fire department
- Do not store or use gasoline or other flammable liquids or vapours in the vicinity of this or any other appliance.
- An LP cylinder not connected for use shall not be stored in the vicinity of this or any other appliance.

#### ⚠ DANGER

- Do not store or use gasoline or other flammable liquids or vapours in the vicinity of this or any other appliance.
- An LP cylinder not connected for use shall not be stored in the vicinity of this or any other appliance.

### THIS BARBECUE IS FOR OUTDOOR USE ONLY

CUISINART® CUSTOMER CARE HOTLINE  
1-800-309-3452

## HARDWARE PACK

### Tools Needed for Assembly

- #2 Phillips screwdriver (long and short)
- ¼" Slotted screwdriver (long and short)
- Adjustable wrench
- Pliers
- Rubber Mallet

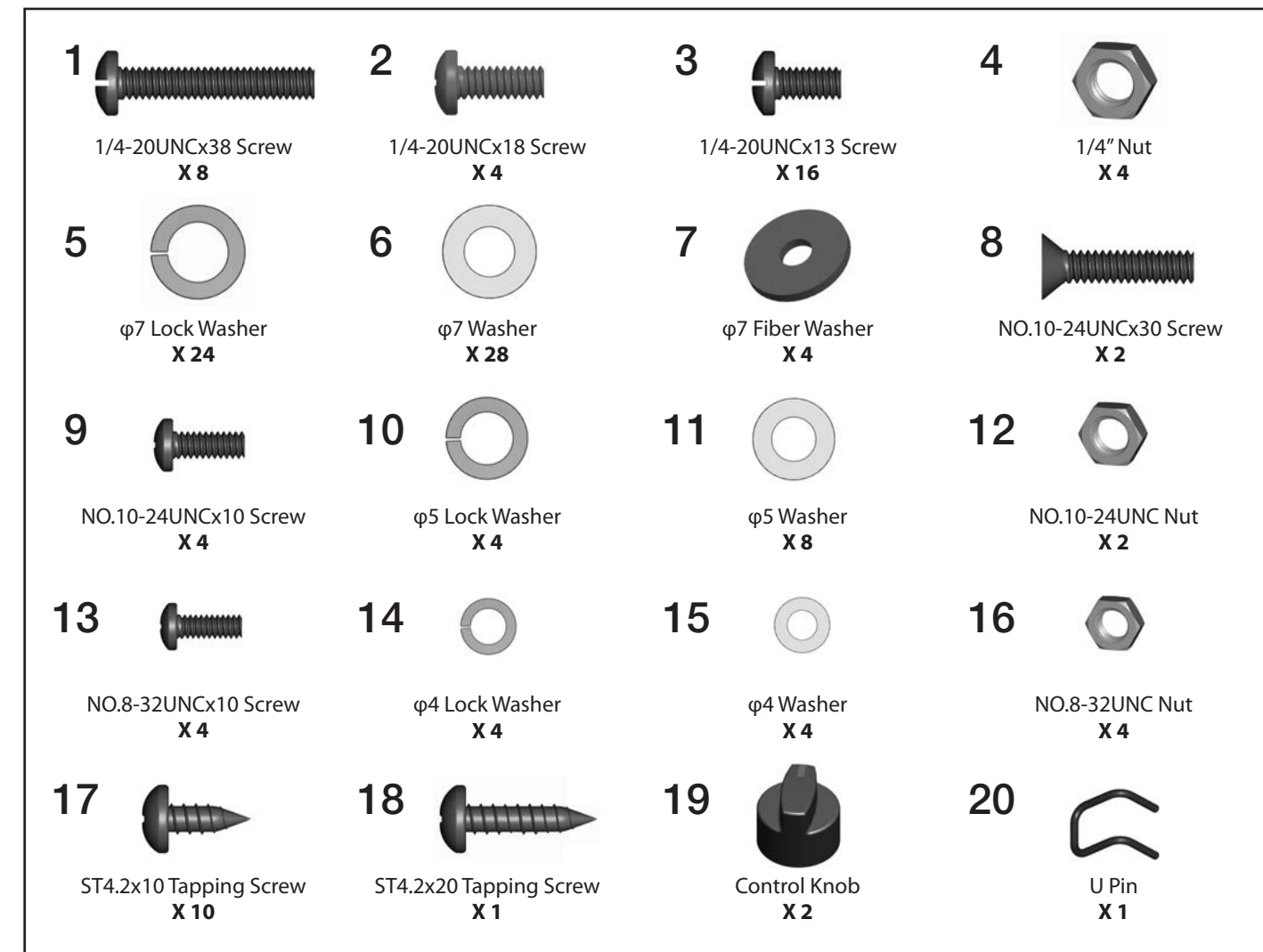
Before assembling the barbecue, read these instructions carefully.

Assemble the barbecue on a flat, clean surface. Grill is heavy.

Note: Do not fully tighten all the nuts during this initial stage

No.	Description	Part Number	Qty.
1	1/4-20UNCx38 Screw	20120-13038-250	8
2	1/4-20UNCx18 Screw	20120-13018-250	4
3	1/4-20UNCx13 Screw	20120-13013-250	16
4	1/4" Nut	30220-13000-250	4
5	φ7 Lock Washer	41400-07000-250	24
6	φ7 Washer	40300-07000-250	28
7	φ7 Fiber Washer	G501-0054-9100	4
8	NO.10-24UNCx30 Screw	20324-10030-250	2
9	NO.10-24UNCx10 Screw	20124-10010-250	4
10	φ5 Lock Washer	41400-05000-250	4
11	φ5 Washer	40300-05000-250	8
12	NO.10-24UNC Nut	30224-10000-250	2
13	NO.8-32UNCx10 Screw	20132-08010-250	4
14	φ4 Lock Washer	41400-04000-250	4
15	φ4 Washer	40300-04000-250	4
16	NO.8-32UNC Nut	30232-08000-250	4
17	ST4.2x10 Tapping Screw	22500-42010-137	10
18	ST4.2x20 Tapping Screw	22500-42020-137	1
19	Control Knob	G525-0013-9000	2
20	U Pin	G350-0026-9000	1

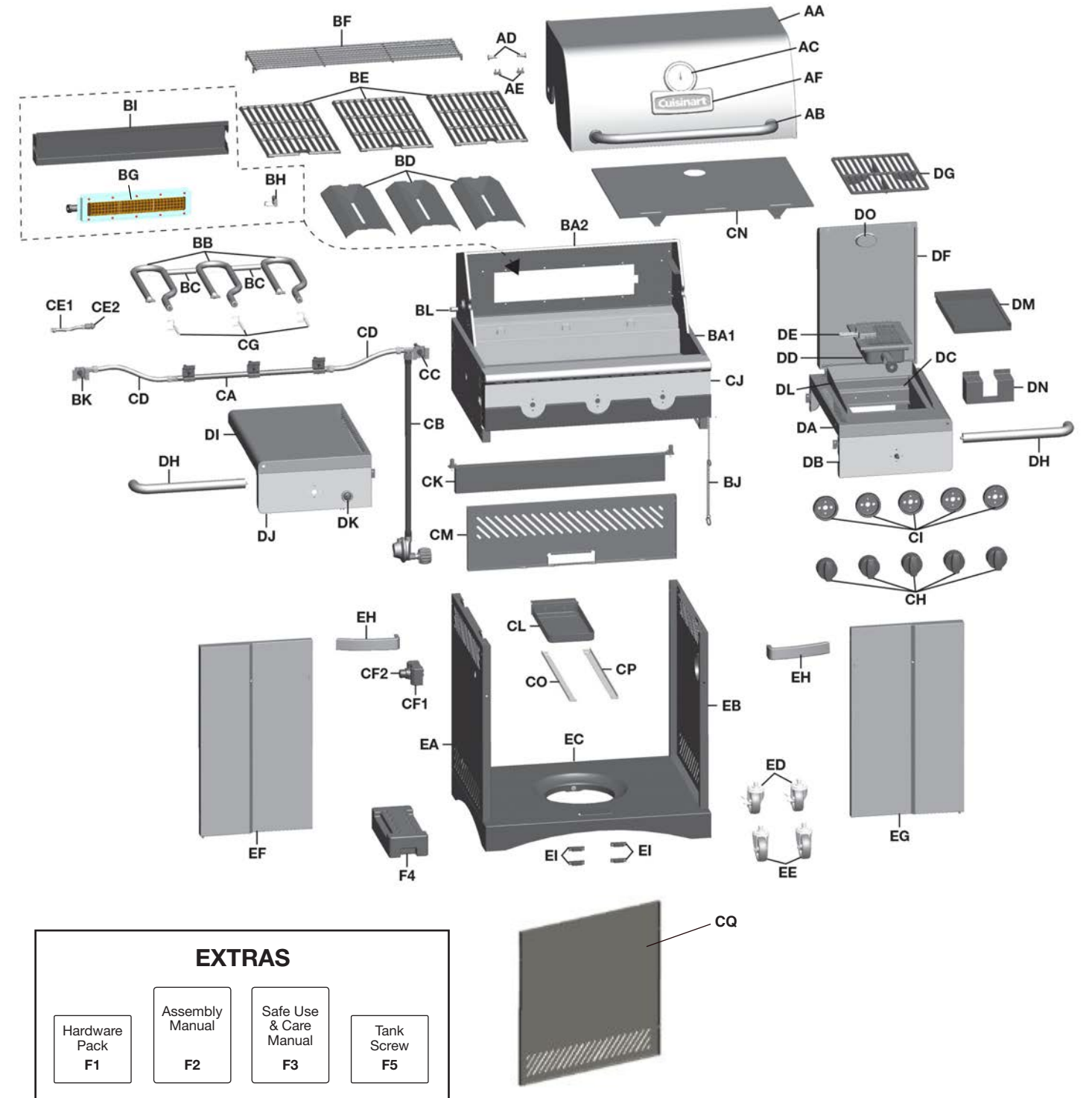
⚠ Caution:  
Sheet metal can cause injury. Wear gloves when installing this grill.



## PARTS LIST (PROPANE) FOR 85-3058-4 (G52507)

Item No.	Qty.	Description	Part No.	Item No.	Qty.	Description	Part No.
AA	1	Top lid	G525-2000-01	DA	1	Side Shelf Table - Right	G525-8300-01
AB	1	Lid Handle	G525-0033-01	DB	1	Side Shelf Fascia - Right	G525-3900-01
AC	1	Thermometer	G512-0085-01	DC	1	Infrared Support Frame	G512-9200-01
AD	2	Screw for Top Lid	G433-0002-01	DD	1	Infrared Zone Side Burner	G614-8500-01
AE	2	Lid Bumper	G508-0063-01	DE	1	Electrode Set, Infrared Zone	G614-0092-01
AF	1	Logo	G418-0002-01	DF	1	Lid, Infrared Zone	G453-0057-01
BA1	1	Burner Box Assembly	G525-3100-02	DG	1	Cooking Grate, Infrared Zone	G512-0060-01
BA2	1	Burner Box Surround	G525-2200-01	DH	2	Towel Bar	G525-0029-01
BB	3	Main Burner	G525-3800-01	DI	1	Side Shelf Table - Left	G525-0700-01
BC	1	Carryover Assembly	G525-0003-01	DJ	1	Side Shelf Fascia - Left	G525-1100-01
BD	3	Flame Tamer	G525-0015-01	DK	1	Multi Spark™ Ignition Button	G525-0028-01
BE	3	Cooking Grate	G525-0016-01	DL	1	Infrared Wind Shield	G512-0077-01
BF	1	Warming Rack	G525-0017-01	DM	1	Infrared Grease Tray	G614-0075-01
BG	1	Infrared Rotisserie Burner	G525-2900-01	DN	1	Infrared Side Burner Wind shield	G614-0073-01
BH	1	Electrode Set, Rotisserie Burner	G525-0046-01	DO	1	Lid Handle Infrared Zone	G401-0031-01
BI	1	Wind Shield, Rotisserie Burner	G525-0047-01	EA	1	Cart Side Panel - Left	G525-0018-01
BJ	1	Match Holder	G501-0068-01	EB	1	Cart Side Panel - Right	G525-0019-01
BK	1	Rotisserie LP Valve	G525-0042-01	EC	1	Bottom Shelf - LP	G525-2600-01
BL	2	Lid Support Pin	G525-0014-01	ED	2	Wheel with Lock	G515-0082-01
CA	1	Manifold Assembly - LP	G525-2400-01	EE	2	Wheel	G350-0024-01
CB	1	Regulator	G606-0008-01	EF	1	Left Door Assembly	G525-6100-01
CC	1	Side Burner Valve - LP	G525-0041-01	EG	1	Right Door Assembly	G525-7100-01
CD	2	Metal Hose	G508-0024-01	EH	2	Door Handle	G525-0025-01
CE1	1	Rotisserie Flexible Hose	G601-0055-A1	EI	4	Door Magnet Assembly	G439-0035-01
CE2	1	Rotisserie LP Orifice	G525-0032-01	F1	1	Hardware pack	G525-B007-01
CF1	1	Electronic Ignition Assembly	G515-0030-03	F2	1	Assembly Manual	G525-M007-01
CF2	1	Electronic Ignition Battery Cap	G515-0030-01	F3	1	Safe Use and Care Manual	G525-M005-02
CG	3	Electrode Set, Main Burner	G525-0030-01	F4	1	Bottom Shelf Weight	G412-0030-01
CH	5	Control Knob	G525-0013-01	F5	1	Tank Screw	G505-0047-01
CI	5	Bezel, Control Knob	G525-0012-01				
CJ	1	Control Panel	G525-0010-01				
CK	1	Front Brace	G525-5000-01				
CL	1	Grease Tray	G350-4400-01				
CM	1	Upper Back Panel	G525-0021-01				
CN	1	Heat Shield	G525-0022-01				
CO	1	Left Track	G515-0024-01				
CP	1	Right Track	G515-0025-01				
CQ	1	Lower Back Panel	G525-0052-01				

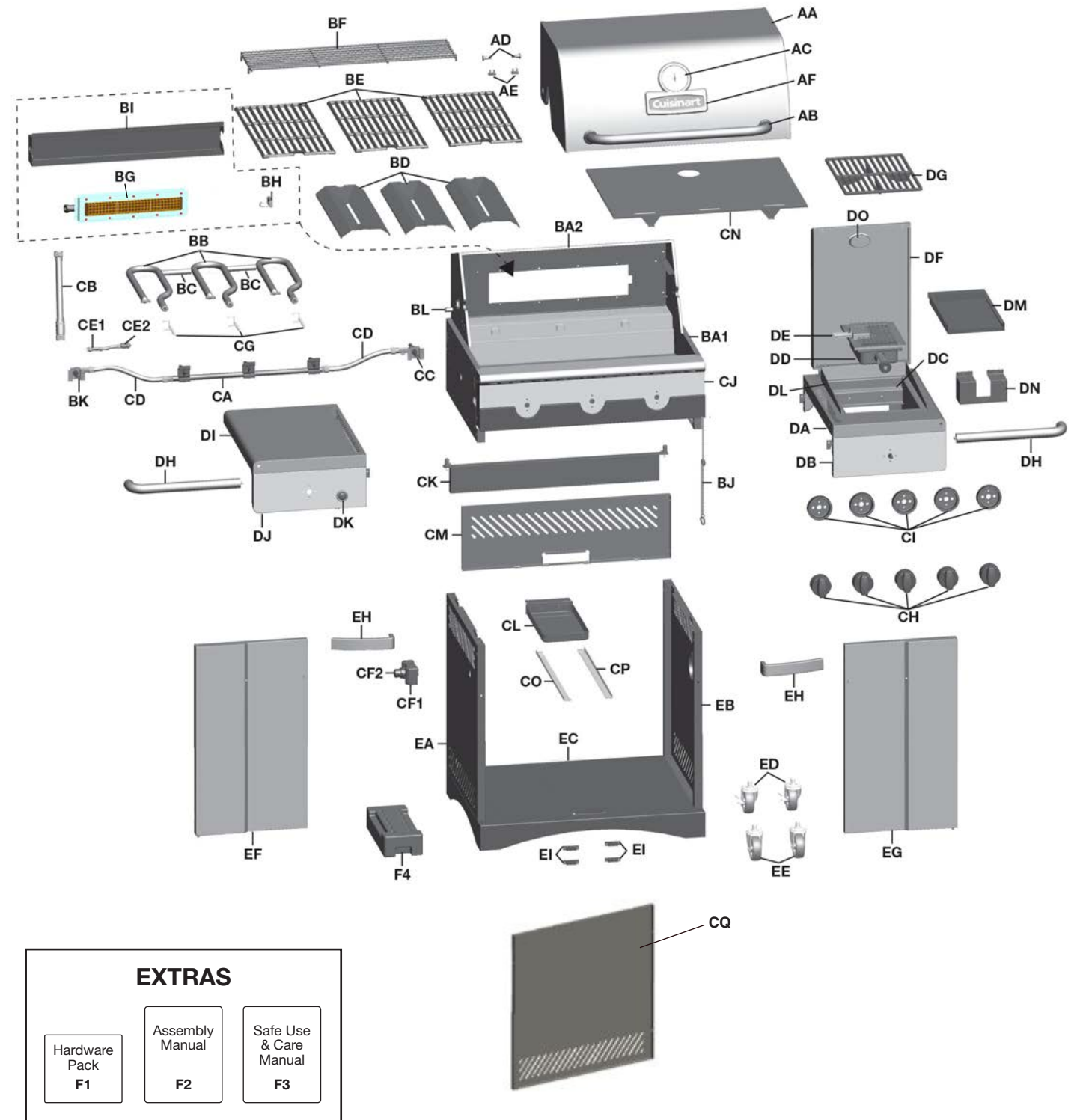
## EXPLODED DIAGRAM (PROPANE) FOR 85-3058-4 (G52507)



# PARTS LIST (NATURAL GAS) FOR 85-3059-2 (G52508)

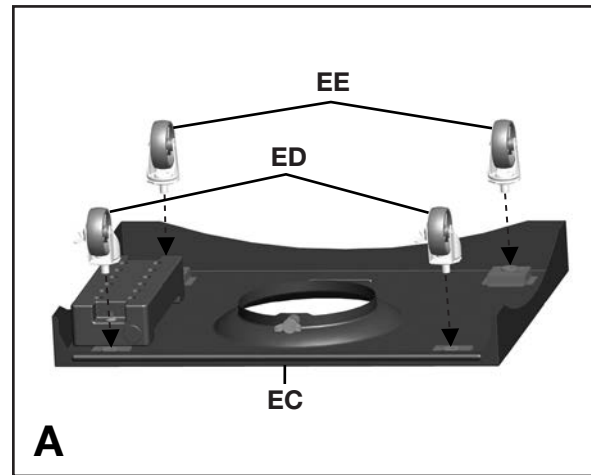
Item No.	Qty.	Description	Part No.	Item No.	Qty.	Description	Part No.
AA	1	Top lid	G525-2000-01	DA	1	Side Shelf Table - Right	G525-8300-01
AB	1	Lid Handle	G525-0033-01	DB	1	Side Shelf Fascia - Right	G525-3900-01
AC	1	Thermometer	G512-0085-01	DC	1	Infrared Support Frame	G512-9200-01
AD	2	Screw for Top Lid	G433-0002-01	DD	1	Infrared Zone Side Burner	G614-8500-01
AE	2	Lid Bumper	G508-0063-01	DE	1	Electrode Set, Infrared Zone	G614-0092-01
AF	1	Logo	G418-0002-01	DF	1	Lid, Infrared Zone	G453-0057-01
BA1	1	Burner Box Assembly	G525-3100-02	DG	1	Cooking Grate, Infrared Zone	G512-0060-01
BA2	1	Burner Box Surround	G525-2200-01	DH	2	Towel Bar	G525-0029-01
BB	3	Main Burner	G525-3800-01	DI	1	Side Shelf Table - Left	G525-0700-01
BC	1	Carryover Assembly	G525-0003-01	DJ	1	Side Shelf Fascia - Left	G525-1100-01
BD	3	Flame Tamer	G525-0015-01	DK	1	Multi Spark™ Ignition Button	G525-0028-01
BE	3	Cooking Grate	G525-0016-01	DL	1	Infrared Wind Shield	G512-0077-01
BF	1	Warming Rack	G525-0017-01	DM	1	Infrared Grease Tray	G614-0075-01
BG	1	Infrared Rotisserie Burner	G525-2900-01	DN	1	Infrared Side Burner Wind shield	G614-0073-01
BH	1	Electrode Set, Rotisserie Burner	G525-0046-01	DO	1	Lid Handle Infrared Zone	G401-0031-01
BI	1	Wind Shield, Rotisserie Burner	G525-0047-01	EA	1	Cart Side Panel - Left	G525-0018-01
BJ	1	Match Holder	G501-0068-01	EB	1	Cart Side Panel - Right	G525-0019-01
BK	1	Rotisserie NG Valve	G525-0049-01	EC	1	Bottom Shelf - NG	G525-3700-01
BL	2	Lid Support Pin	G525-0014-01	ED	2	Wheel with Lock	G515-0082-01
CA	1	Manifold Assembly - NG	G525-1900-01	EE	2	Wheel	G350-0024-01
CB	1	Natural Gas Hose	G501-0099-01	EF	1	Left Door Assembly	G525-6100-01
CC	1	Side Burner Valve - NG	G525-0048-01	EG	1	Right Door Assembly	G525-7100-01
CD	2	Metal Hose	G508-0024-01	EH	2	Door Handle	G525-0025-01
CE1	1	Rotisserie Flexible Hose	G601-0055-A1	EI	4	Door Magnet Assembly	G439-0035-01
CE2	1	Rotisserie NG orifice	G525-0050-01	F1	1	Hardware pack	G525-B007-01
CF1	1	Electronic Ignition Assembly	G515-0030-03	F2	1	Assembly Manual	G525-M007-01
CF2	1	Electronic Ignition Battery Cap	G515-0030-01	F3	1	Safe Use and Care Manual	G525-M005-02
CG	3	Electrode Set, Main Burner	G525-0030-01	F4	1	Bottom Shelf Weight	G412-0030-01
CH	5	Control Knob	G525-0013-01				
CI	5	Bezel, Control Knob	G525-0012-01				
CJ	1	Control Panel	G525-0010-01				
CK	1	Front Brace	G525-5000-01				
CL	1	Grease Tray	G350-4400-01				
CM	1	Upper Back Panel	G525-0021-01				
CN	1	Heat Shield	G525-0022-01				
CO	1	Left Track	G515-0024-01				
CP	1	Right Track	G515-0025-01				
CQ	1	Lower Back Panel	G525-0052-01				

# EXPLODED DIAGRAM (NATURAL GAS) FOR 85-3059-2 (G52508)

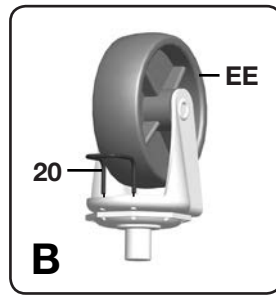


# ASSEMBLY INSTRUCTIONS

1.



Back view



Close up

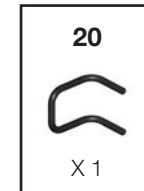
Separate the 2 different types of wheels, 2 Locking Wheels (ED) and 2 Regular Wheels (EE).

Insert the U Pin (#20) into one of the Regular Wheels (EE), as shown in image B. Attach the Regular Wheel (EE) to the front of the Bottom Shelf (EC), and use the U Pin (#20) to secure and tighten.

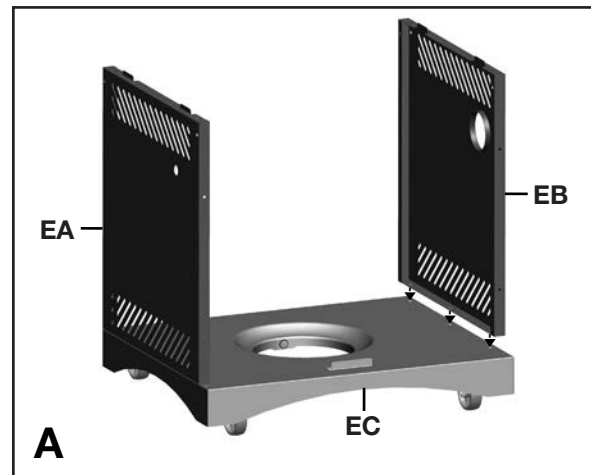
Repeat for remaining 3 Wheels (EE & ED).

**NOTE:** Regular Wheels (EE) need to be assembled to the front of the Bottom Shelf (EC), and Wheels with Lock (ED) need to be assembled to the back of the Bottom Shelf (EC), as shown in image A.

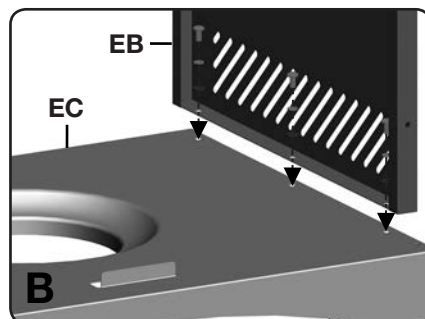
**YOU WILL NEED:**



2.



Front view

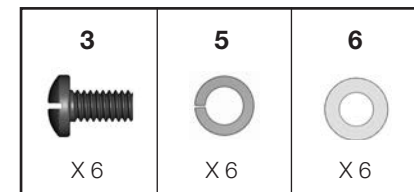


Close up

A) Ensure that the wheels are firmly locked in the "ON" position before continuing.

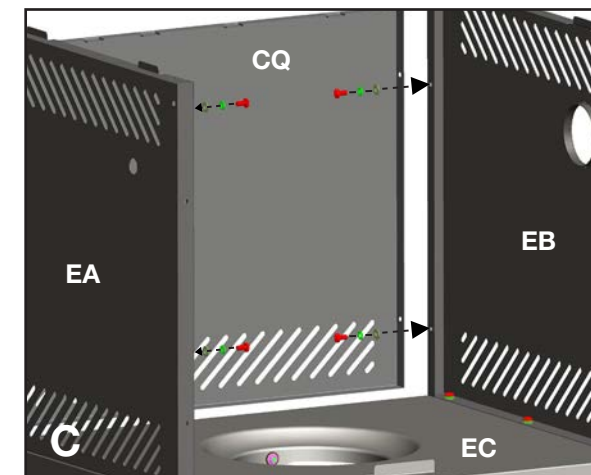
B) Assemble the Left Cart Side Panel (EA) and the Right Cart Side Panel (EB) to the Bottom Shelf (EC)

**YOU WILL NEED:**



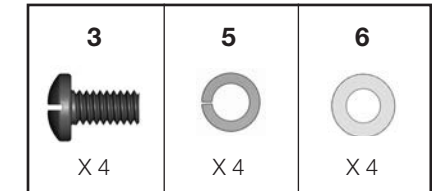
# ASSEMBLY INSTRUCTIONS

2.

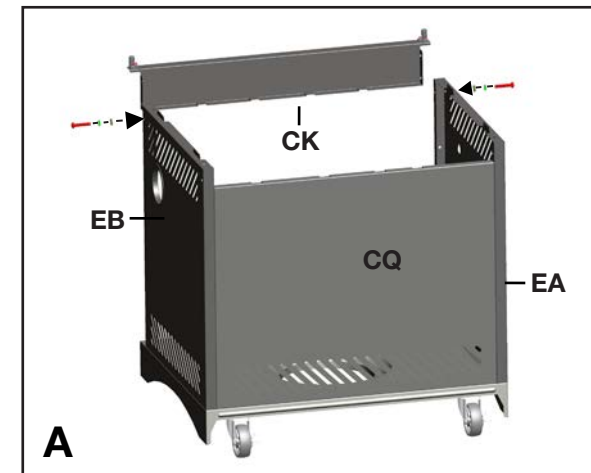


C) Assemble the Lower Back Panel (CQ) to the Left Cart Side Panel (EA) and Right Cart Side Panel (EB).

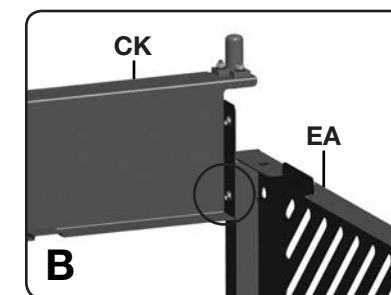
**YOU WILL NEED:**



3.



Back view

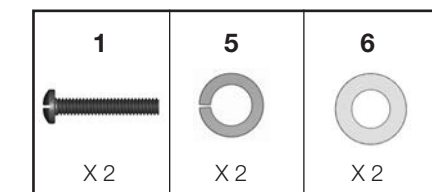


Close up

Attach the Front Brace (CK) to the Left and Right Cart Side Panels (EA and EB).

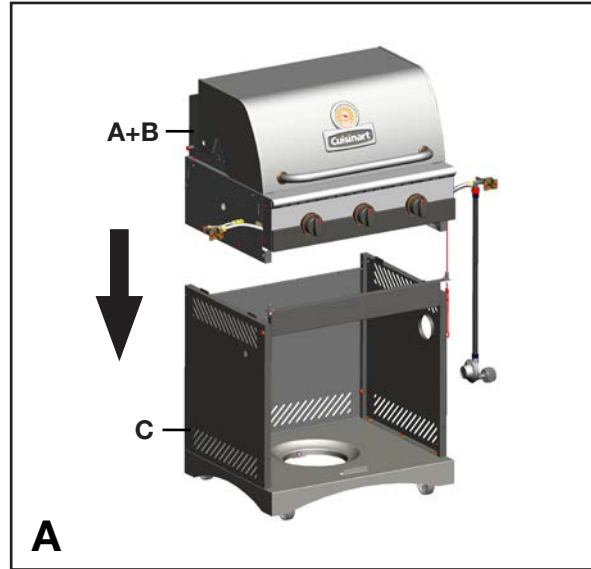
**TIP:** One person should align the left side, while the second person assembles the right side.

**YOU WILL NEED:**

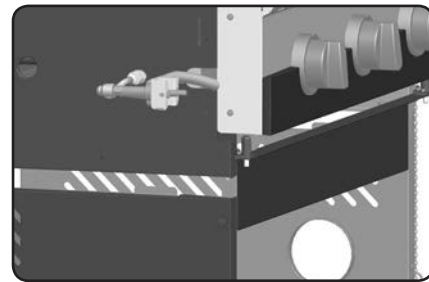


# ASSEMBLY INSTRUCTIONS

4.



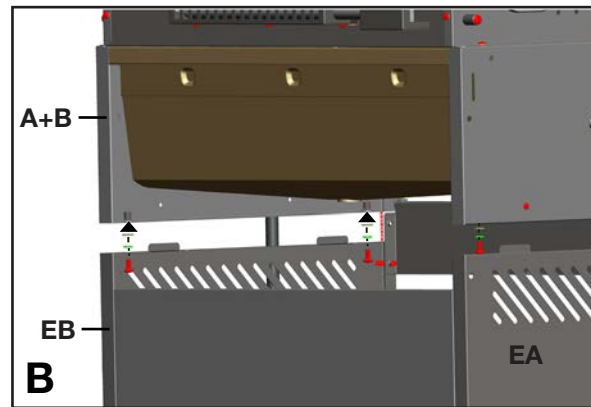
Front view



Close up, left side view

**THIS STEP REQUIRES 3 OR MORE PEOPLE. DO NOT ATTEMPT ALONE. EXTREMELY HEAVY.**




a. Position the Top Lid and Burner Box Assembly (A and B) onto Cart Assembly (C), as shown.

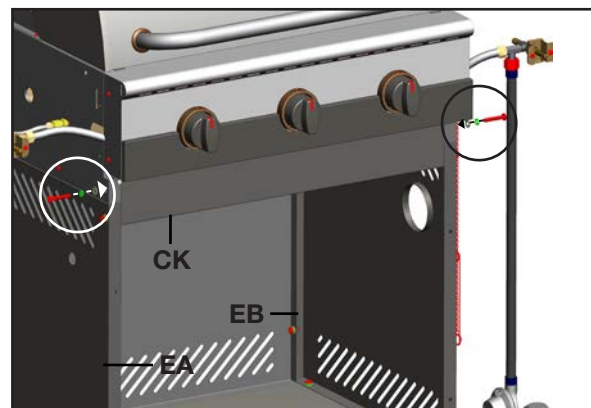


Back view

b. Assemble Burner Box Assembly (A and B) to Cart Side Panels (EA and EB), as shown.




**YOU WILL NEED:**

<b>3</b>	<b>5</b>	<b>6</b>
		
X 4	X 4	X 4



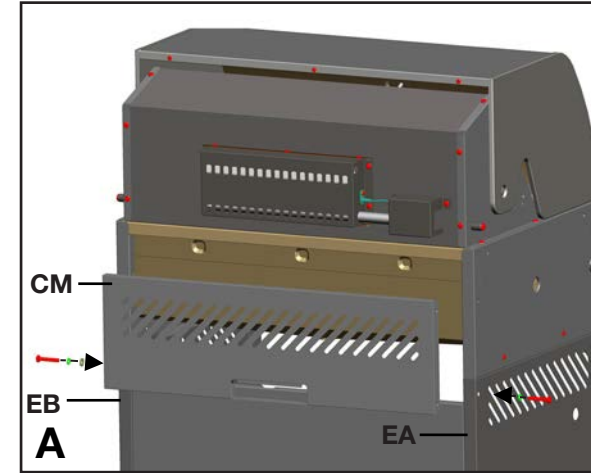
c. Assemble the front of the Burner Box Assembly (A and B) to the Front Brace (CK), as shown.

**YOU WILL NEED:**

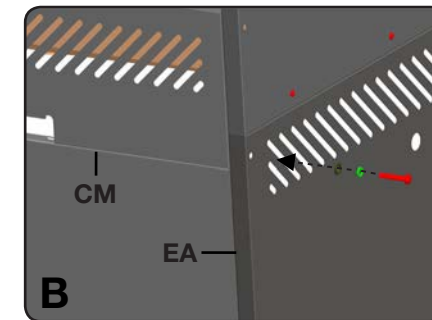
<b>1</b>	<b>5</b>	<b>6</b>
		
X 2	X 2	X 2

# ASSEMBLY INSTRUCTIONS

5.



Back view






Close up

Attach the Upper Back Panel (CM) to both the Left and Right Side Panels (EA and EB).

**Only install hardware in the bottom portion of the back panel, as shown in figure B.**

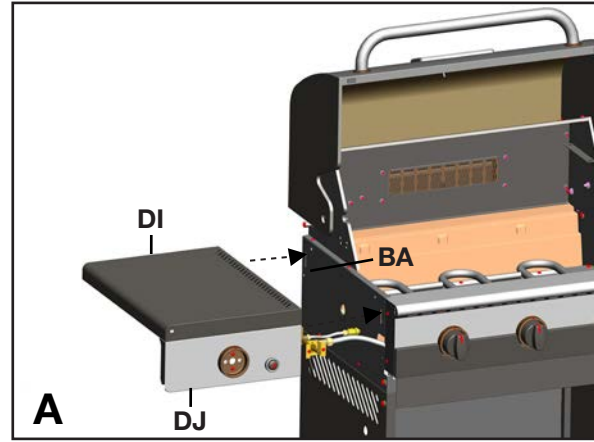
**DO NOT TIGHTEN SCREWS UNTIL SIDE SHELF HAS BEEN INSTALLED.**

**YOU WILL NEED:**

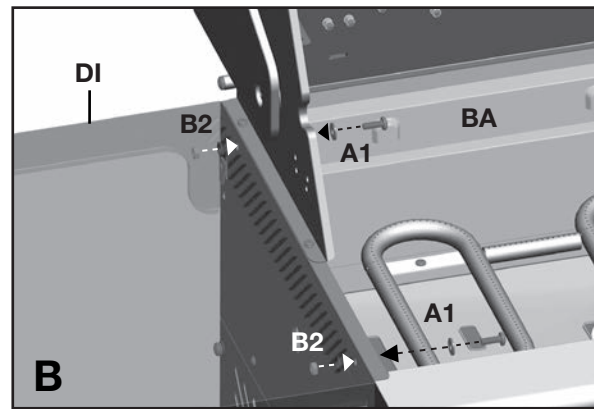
<b>1</b>	<b>5</b>	<b>6</b>
		
X 2	X 2	X 2

# ASSEMBLY INSTRUCTIONS

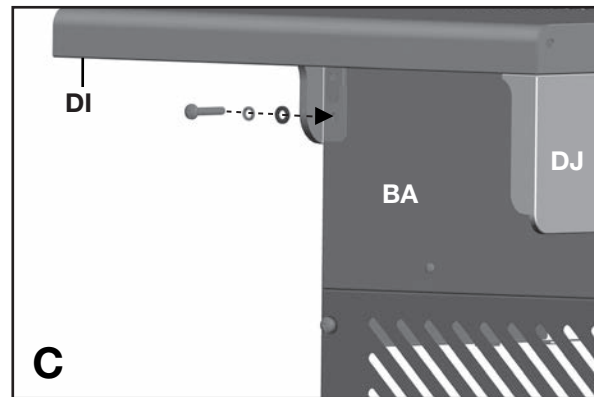
## 6.



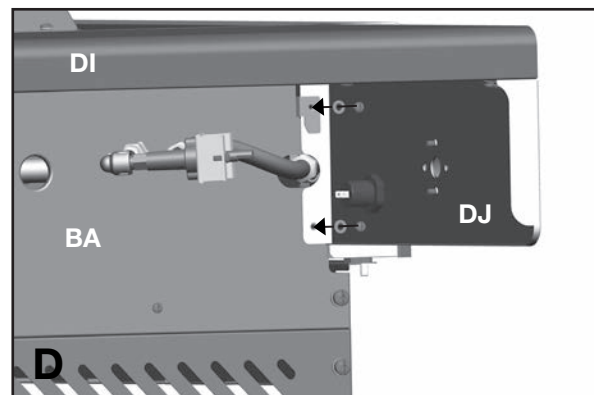
Front, left side view



Front, left side view



View under left side shelf

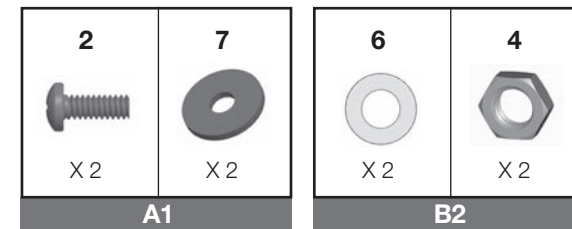


View under left side shelf

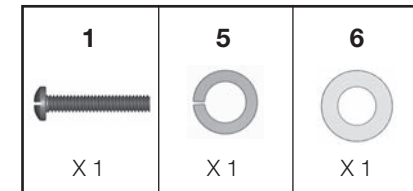
a. Open the Lid. Assemble the Left Side Shelf Assembly (DI and DJ) to the Cart Assembly by inserting the Side Shelf Tabs into holes on the Cart Assembly (figure A).

b. Secure using hardware, as shown in figure B, C & D.

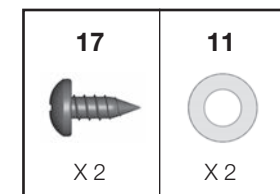
**YOU WILL NEED:**



**YOU WILL NEED:**

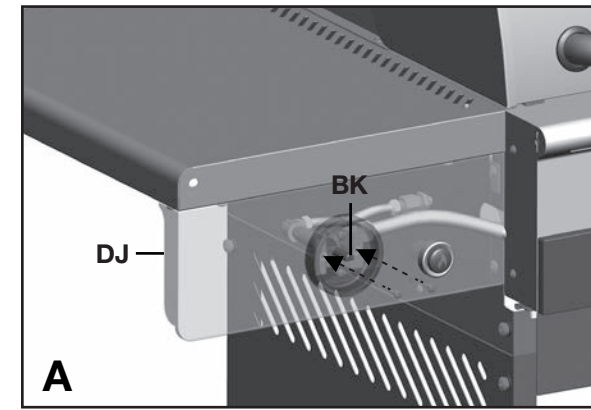


**YOU WILL NEED:**

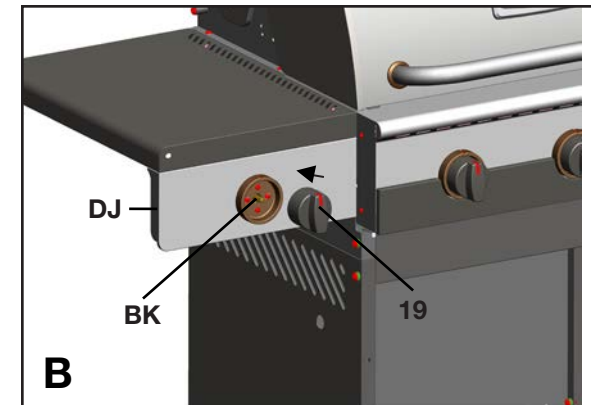


# ASSEMBLY INSTRUCTIONS

## 7.



Front, left side view



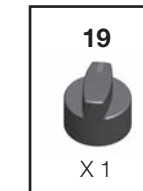
Front, left side view

a. Remove the hardware that is pre-assembled to the Rotisserie Valve (BK) as shown in figure A.

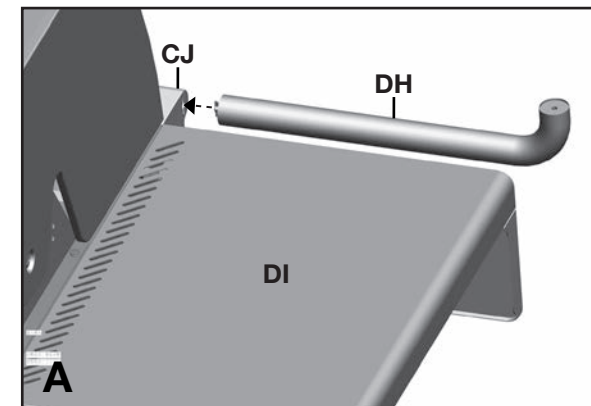
b. Insert the rotisserie burner valve stem through the rear of the Left Side Shelf Fascia (DJ), and assemble using the hardware removed.

c. Assemble the Control Knob (#19) to the Rotisserie Valve (BK).

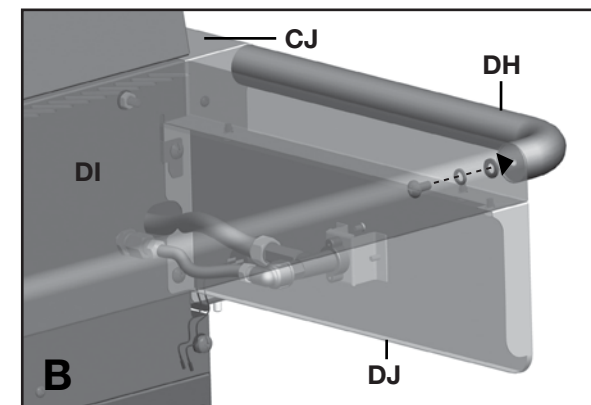
**YOU WILL NEED:**



## 8.



Rear, left side view

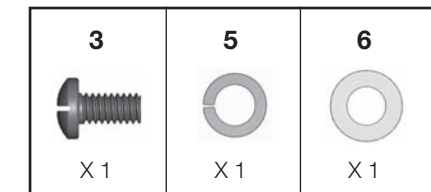


Rear, left side view

a. Insert the Towel Bar (DH) into the connection point on the Control Panel (CJ) and turn counterclockwise towards the rear of the BBQ. (figure A)

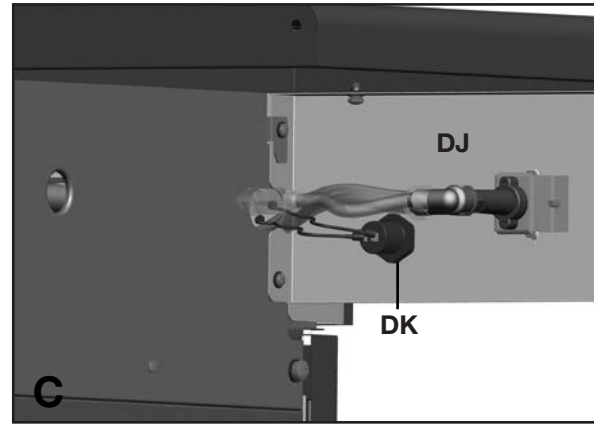
b. Assemble the Towel Bar (DH) to the Left Side Shelf Table (DI), as shown in figure B.

**YOU WILL NEED:**



# ASSEMBLY INSTRUCTIONS

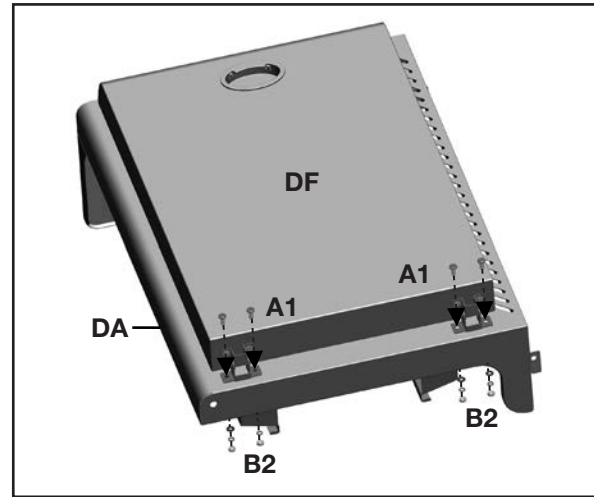
8.



View under Left Side Shelf





b. Attach the two Ignition Button wires to the Electronic Ignition Button (DK), as shown in figure C.

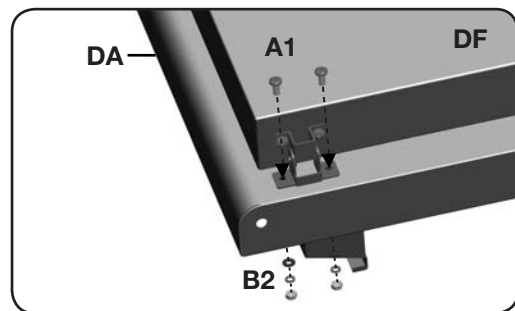
9.



Attach the Infrared Zone Lid (DF) to the Left Side Shelf Table (DA).

YOU WILL NEED:

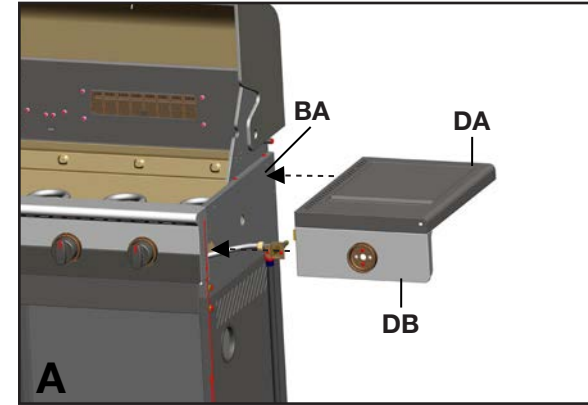
13  X 4 A1	14  X 4 B2	15  X 4 B2	16  X 4 B2
--	--	--	--



Close up

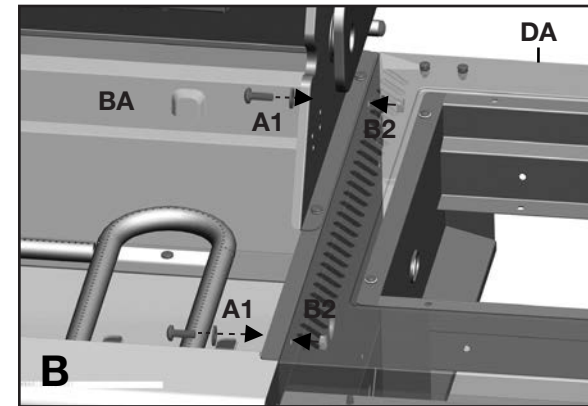
# ASSEMBLY INSTRUCTIONS

10.



Front, right side view





a. Open the Lid. Assemble the Right Side Shelf Assembly (DA and DB) to the Cart Assembly by inserting the Side Shelf Tabs into the holes on the Cart Assembly (figure A).

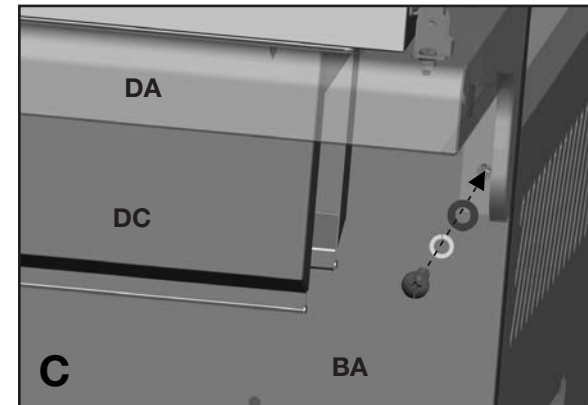


View inside burner box

b. Secure using hardware, as shown in figure B, C & D.




YOU WILL NEED:

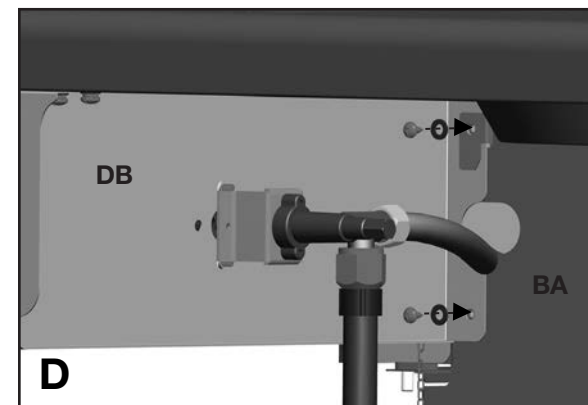
2  X 2 A1	7  X 2 A1	6  X 2 B2	4  X 2 B2
---	---	---	---



View under right side shelf



YOU WILL NEED:

1  X 1	5  X 1	6  X 1
---	---	---



View under right side shelf

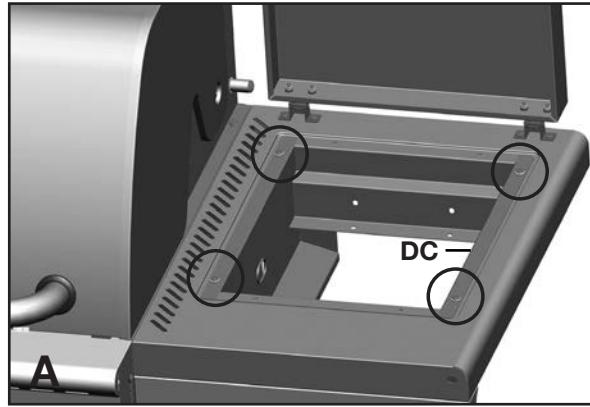
YOU WILL NEED:

17  X 2	11  X 2
--	--

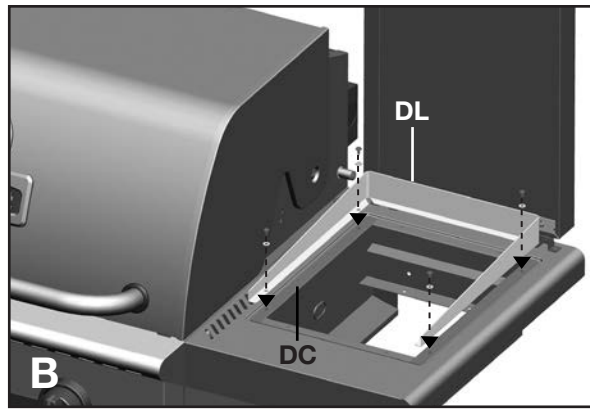


## ASSEMBLY INSTRUCTIONS

# 11.



Front, right side view

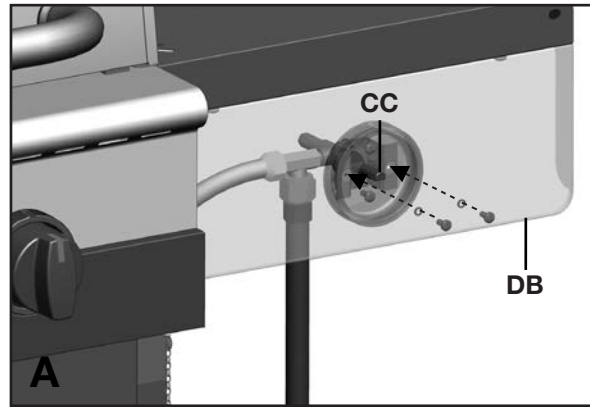


Front, right side view

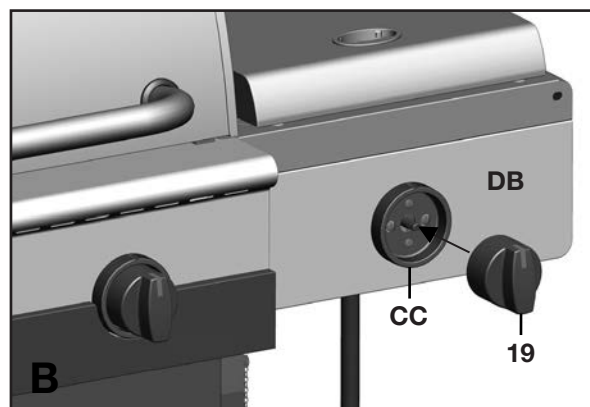
a. Remove the hardware from the Infrared Support Frame (DC).

b. Use the hardware to assemble the Infrared Wind Shield (DL) onto the Infrared Support Frame (DC).

# 12.



Front, right side view



Front, right side view

a. Remove the hardware that is pre-assembled to the Side Burner Valve Bracket (CC), as shown in figure A.

b. Insert the Side Burner Valve Stem (CC) through the rear of the right side shelf fascia (DB), and assemble using the hardware removed.

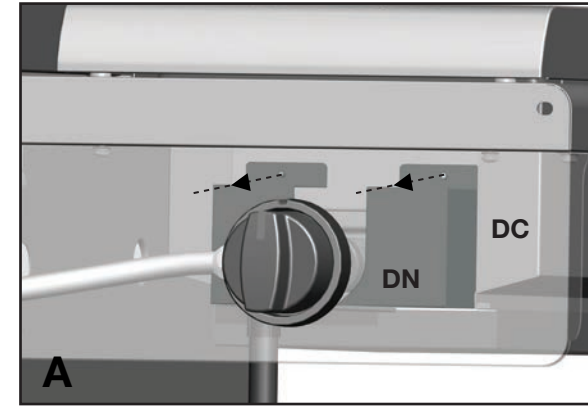
c. Assemble the Side Burner Control Knob (#19) to the Side Burner Valve (CC) (figure B).

**YOU WILL NEED:**

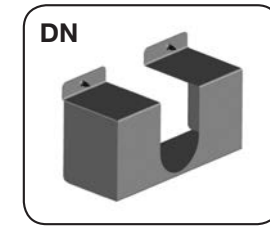


## ASSEMBLY INSTRUCTIONS

# 13.

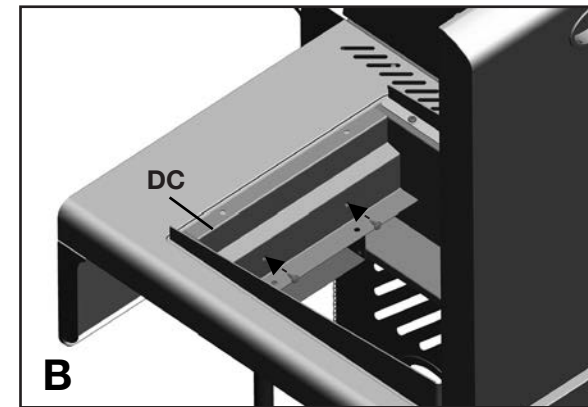
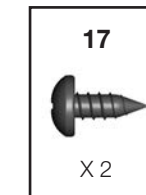


A

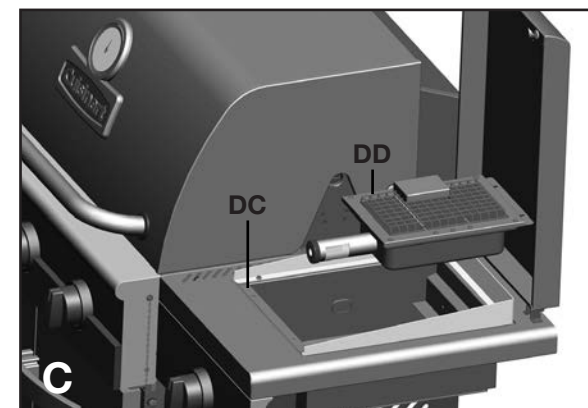


a. Assemble the Infrared Side Burner Wind Shield (DN) to the Infrared Support Frame (DC), as shown in figure A and B.

**YOU WILL NEED:**



B

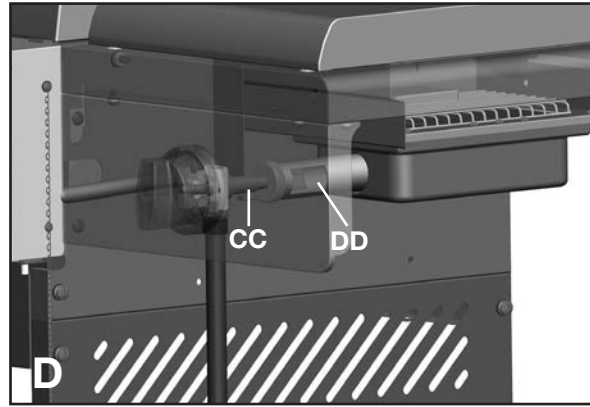


C

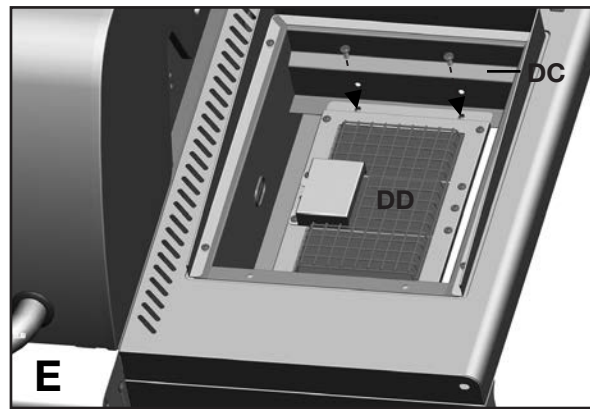
b. Position the Infrared Zone Side Burner (DD) through the opening in the Infrared Support Frame (DC).

## ASSEMBLY INSTRUCTIONS

# 13.







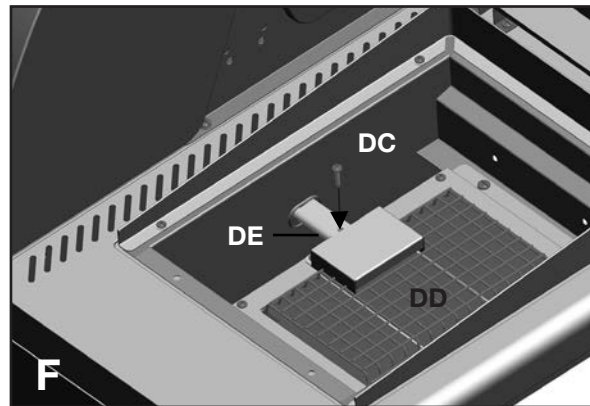
c. Make sure that the Infrared Zone Side Burner (DD) engages the Side Burner Valve (CC) gas jet, as shown in figure D.



d. Assemble the Infrared Zone Side Burner (DD) to the Infrared Zone Support Frame (DC), at the 2 points indicated in figure E.


### YOU WILL NEED:

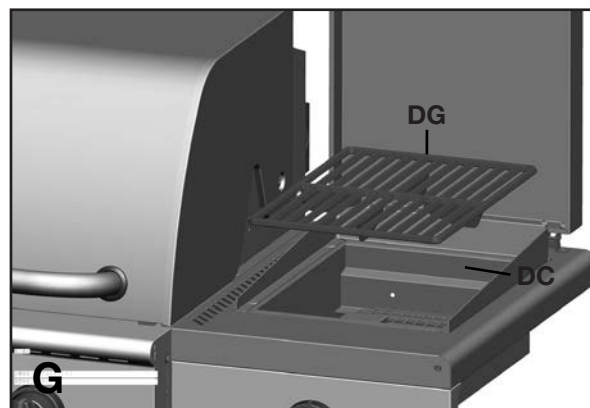
<b>9</b>	<b>10</b>	<b>11</b>	<b>12</b>
			
X 2	X 2	X 2	X 2



e. Feed the Infrared Zone Electrode wire (DE) from underneath the Infrared Zone Side Burner (DD), through the small opening on the left side of the Infrared Zone Support Frame (DC). Align and assemble the electrode using the self tapping screw provided, as shown in figure F.

### YOU WILL NEED:

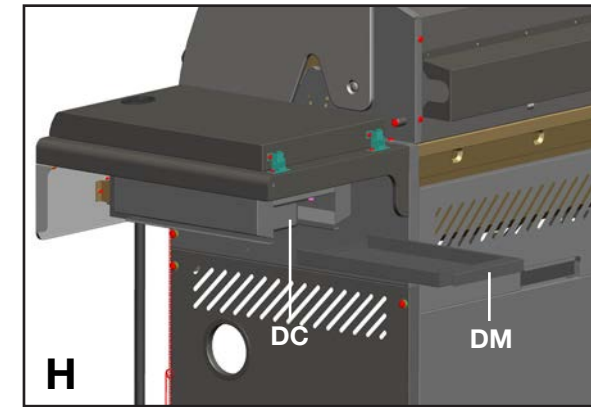
<b>18</b>

X 1



f. Position the Infrared Zone Cooking Grate (DG) on the Infrared Zone Support Frame (DC).

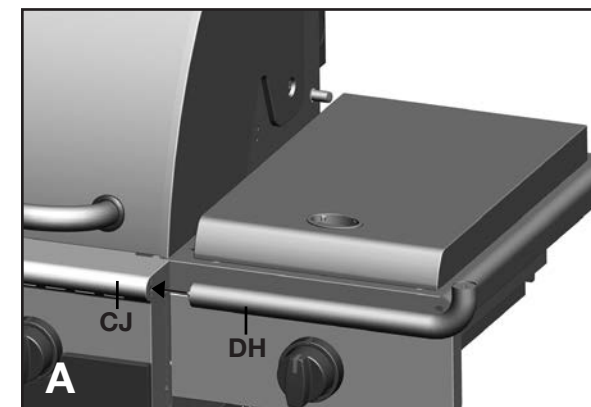
## ASSEMBLY INSTRUCTIONS

# 13.



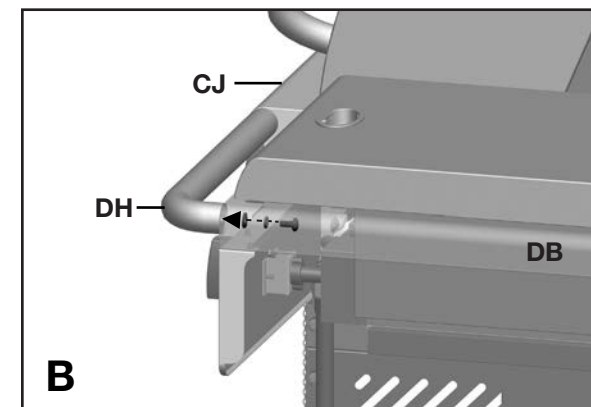
g. Insert the Infrared Grease Tray (DM) into the back of the Infrared Zone Support Frame (DC), as shown.

# 14.






Front, right side view

Assemble the Towel Bar (DH) to the Control Panel (CJ) and Left Side Shelf (DB), as shown in figure A & B.



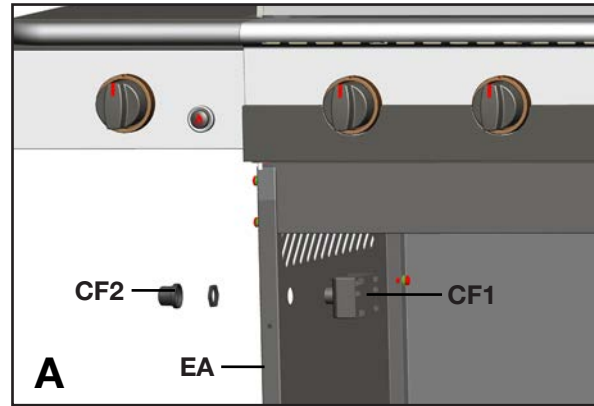
Right side view

### YOU WILL NEED:

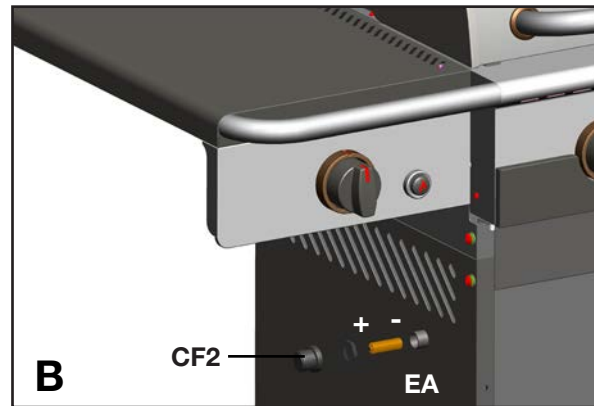
<b>3</b>	<b>5</b>	<b>6</b>
		
X 1	X 1	X 1

## ASSEMBLY INSTRUCTIONS

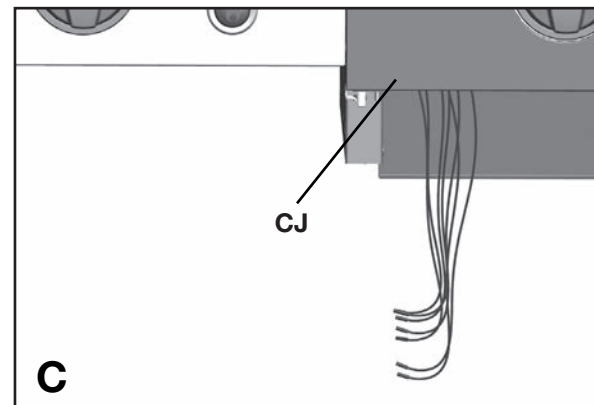
# 15.



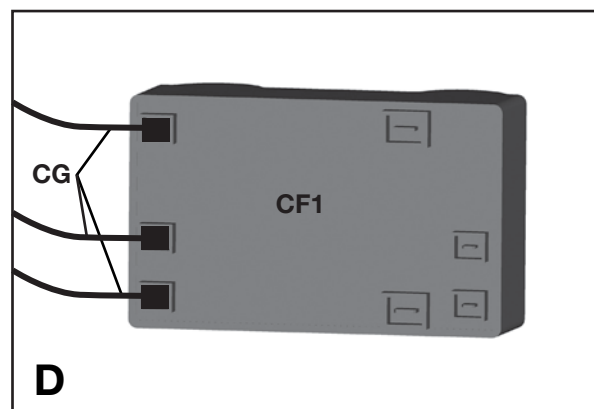
- Remove the Electronic Ignition Battery Cap (CF2) and the plastic nut from the Electronic Ignition Assembly (CF1).
- Feed the Electronic Ignition Assembly (CF1) through the opening in the Right Cart Side Panel (EA) and secure using the nut.



- Insert one "AA" battery into the battery compartment with the positive end facing outward, as shown. Secure using the Electronic Ignition Battery Cap (CF2).



**TIP:** The Electrode Set, Main Burner (CG), the Electrode Wire, Infrared Zone (DE), and the Electrode Wire, Rotisserie Burner (BH) can be found attached to the Control Panel (CJ) heat shield, as shown.

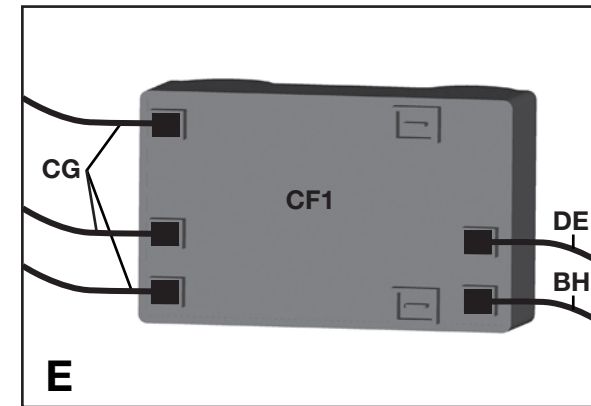


- Insert the three Electrode Set, Main Burner wires (CG) into the Electronic Ignition Assembly (CF1), as shown in figure D.

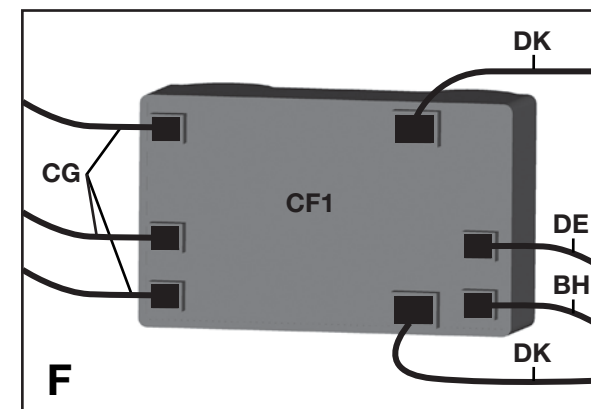
**NOTE:** All main burner, Infrared Zone side burner and rotisserie burner electrode wire connection points are the same size.

## ASSEMBLY INSTRUCTIONS

# 15.

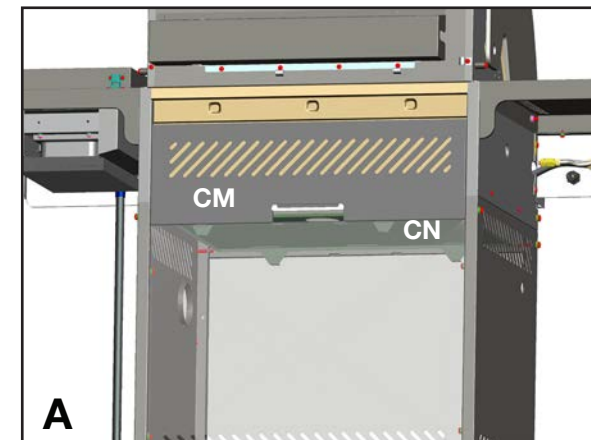


- Insert the Electrode Wire, Infrared Zone (DE) and the Electrode Wire, Rotisserie Burner (BH) into the Electronic Ignition Assembly (CF1), as shown in figure E.



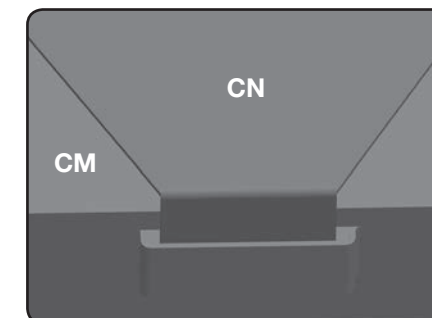
- Insert the two Electronic Ignition Button (DK) wires into the Electronic Ignition Assembly (CF1), as shown in figure F.

# 16.



Back view

- Position the Heat Shield (CN) into the two hooks located on the bottom of the Upper Back Panel (CM), as shown in figure A.



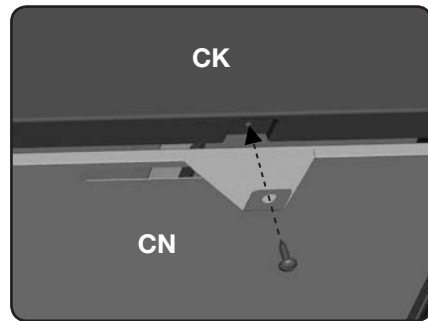
Close up

## ASSEMBLY INSTRUCTIONS

# 16.



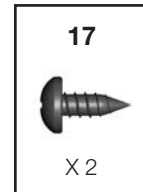
Front view



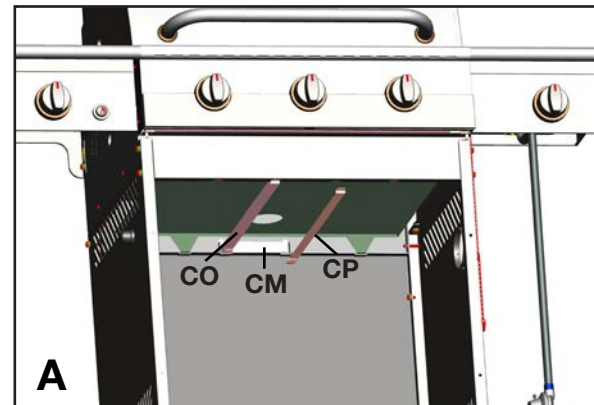
Close up

b. Assemble the Heat Shield (CN) to the bottom of the Front Brace (CK), as shown in figure B.

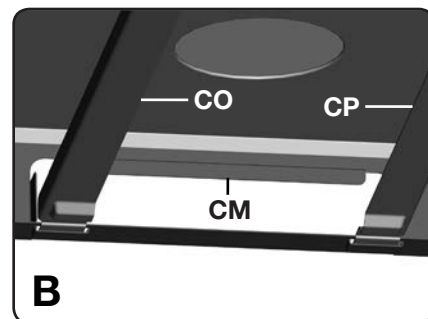
**YOU WILL NEED:**



# 17.



Front view



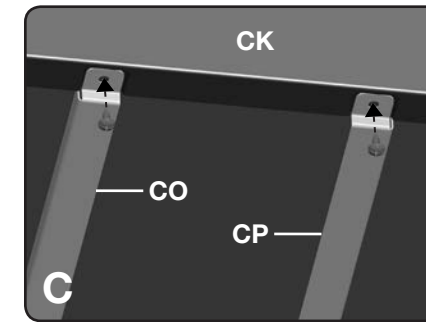
Close up, back

a. Assemble the Left and Right Tracks (CO and CP) for the Grease Tray (CL), as shown in figure A-C.

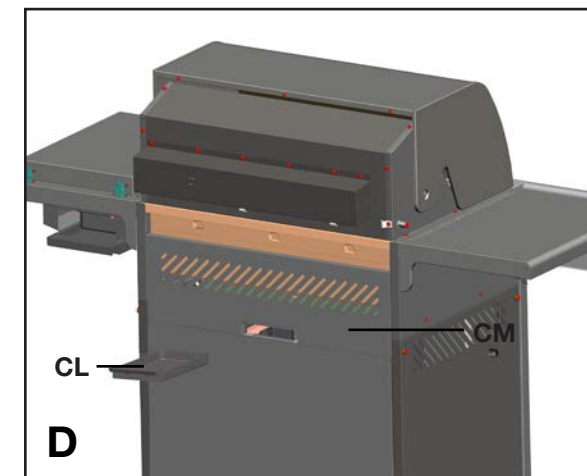
b. Both the Left and Right Tracks (CO and CP) should be inserted into the two clips located on the Upper Back Panel (CM), as shown in figure B.

## ASSEMBLY INSTRUCTIONS

# 17.



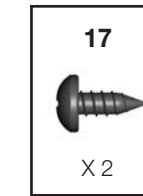
Close up, front



Back view

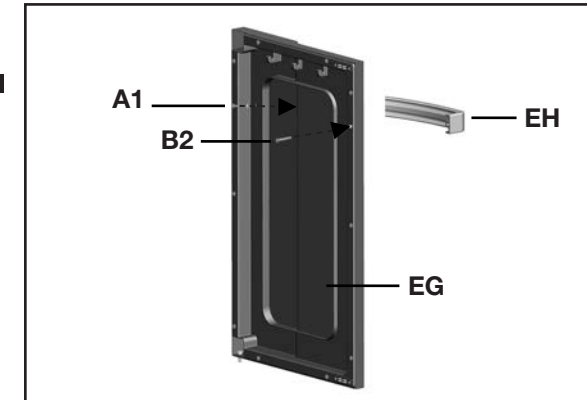
c. Assemble the front of the Left and Right Tracks (CO and CP) to the Front Brace (CK), as shown in figure C.

**YOU WILL NEED:**



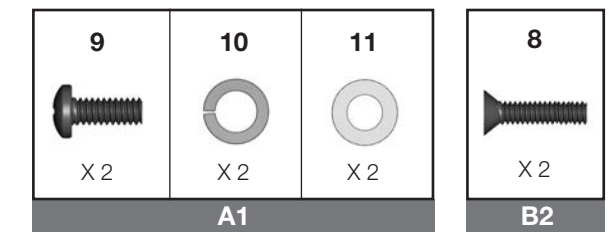
d. Insert the Grease Tray (CL) into the opening of the Upper Back Panel (CM).

# 18.



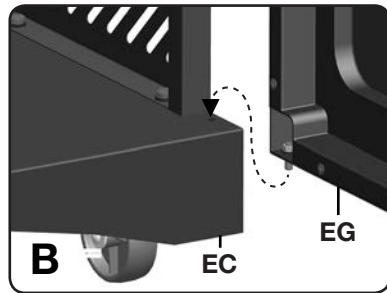
Assemble the Door Handle (EH) to the left and right Door Assembly (EF and EG) as shown in figure A.

**YOU WILL NEED:**

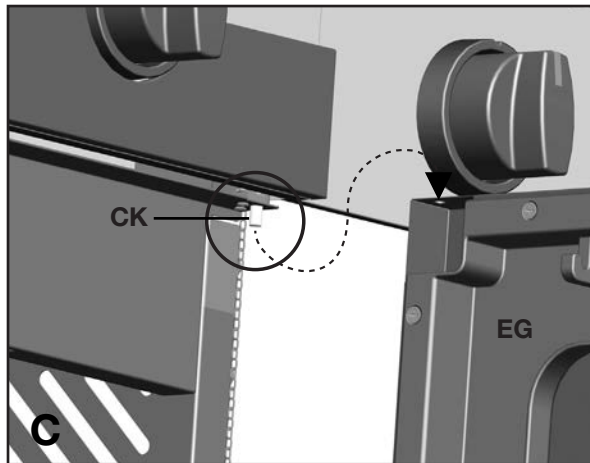


## ASSEMBLY INSTRUCTIONS

# 19.



Bottom of door



Top of door

a. Assemble the Right Door Assembly (EG), to the Bottom Shelf (EC) by inserting the fixed pin (bottom of door) into the hole provided (figure B).

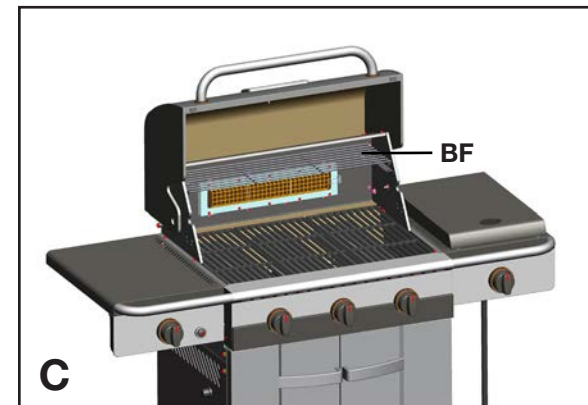
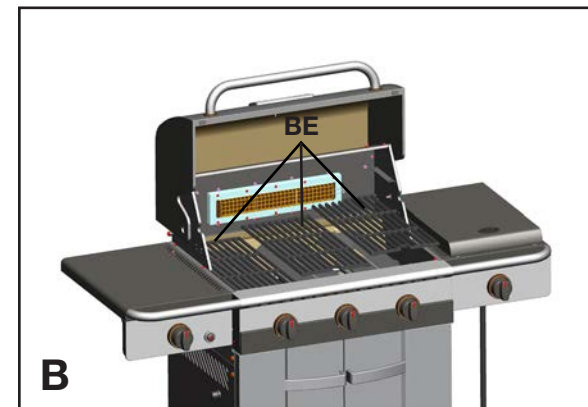
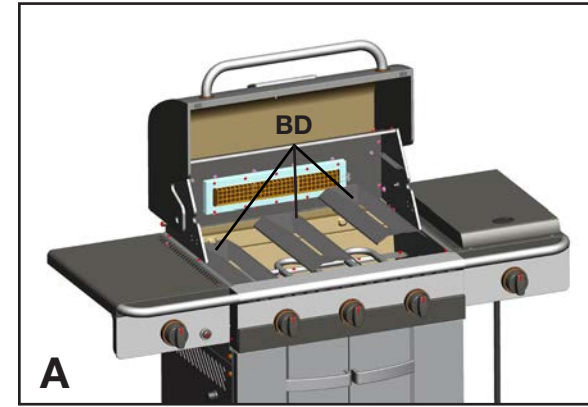
b. Assemble the top of the Right Door Assembly (EG) to the front brace (CK), by pressing in the door support pin and aligning with the hole located on the top right corner of the door.

**TIP:** Use a paint scraper to press-in the support pin, while the second person aligns the door. The support pin will lock into position when the door is assembled correctly.

c. Repeat steps b, and c for the Left Door Assembly (EC).

## ASSEMBLY INSTRUCTIONS

# 20.



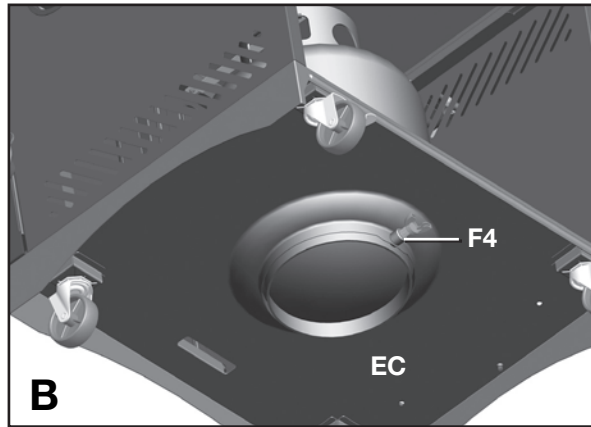
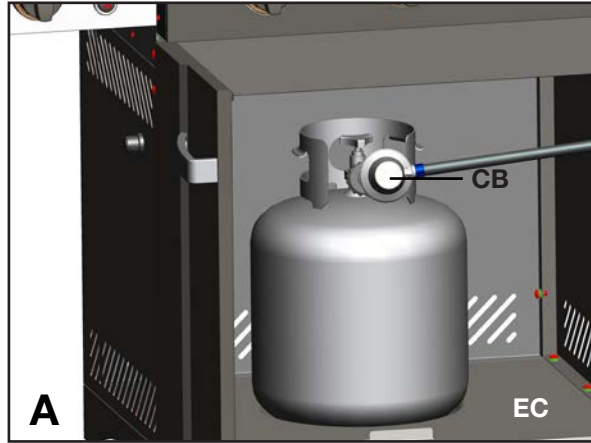
a. Place the Flame Tamers (BD) into the Burner Box Assembly (BA).

b. Place the Cooking Grates (BE) into the Burner Box Assembly (BA), as shown.

c. Assemble the Warming Rack (BF) by inserting the fixed pins into the warming rack support bars located on the Burner Box Assembly (BA), as shown.

## ASSEMBLY INSTRUCTIONS

# 21.



### FOR PROPANE MODELS ONLY.

#### For natural gas model, follow step 22.

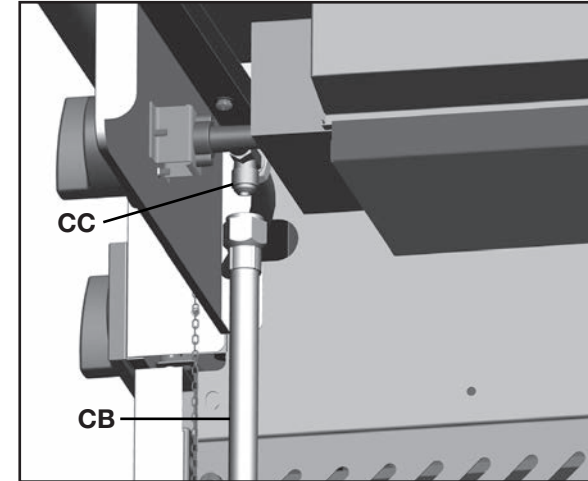
- Position the Regulator Hose (CB) through the hole in the Right Side Panel (EB).
- Position the 20 lb propane tank onto the Bottom Shelf (EC), and secure using the Bolt (F4) (already attached) located on the underside of the Bottom Shelf, as shown in figure B.
- Attach the regulator coupling nut to the LP cylinder valve. Be careful not to cross thread. Hand tighten only.
- Perform Leak Test. See page 5 of the Cuisinart® Safety and Care Manual.

**⚠ ATTENTION:** For your families safety, do not attempt to light this BBQ until you have reviewed pages 4-7 of the Cuisinart® Safety & Care Manual.  
**All Safety and Leak Test MUST BE PERFORMED BY THE END USER, prior to lighting this BBQ.**

**⚠ WARNING** Do not store extra propane tanks within BBQ cart.

## ASSEMBLY INSTRUCTIONS

# 22.



### FOR NATURAL GAS MODEL ONLY.

- Attach the Natural Gas Hose (CB) to the Side Burner Valve (CC) as shown.
- Perform Leak Test. See page 6 of the Cuisinart® Safety and Care Manual.

**⚠ ATTENTION:** In order to complete installation of your Natural Gas BBQ a 1/2" or 3/8" adapter may be required to connect your BBQ's Natural Gas hose to your home gas supply. Contact your Natural Gas supplier to purchase the necessary part.

**⚠ ATTENTION:** For your families safety, do not attempt to light this BBQ until you have reviewed pages 4-7 of the Cuisinart® Safety & Care Manual.  
**All Safety and Leak Test MUST BE PERFORMED BY THE END USER, prior to lighting this BBQ.**

# Cuisinart®

Visit [www.cuisinartbbqs.com](http://www.cuisinartbbqs.com)  
to complete product registration.

**Cuisinart® Gourmet Barbecues Customer Service:**  
**1-800-309-3452**

**Join the conversation**



[facebook.com/cuisinartbbqs](https://facebook.com/cuisinartbbqs)



[twitter.com/cuisinartbbqs](https://twitter.com/cuisinartbbqs)