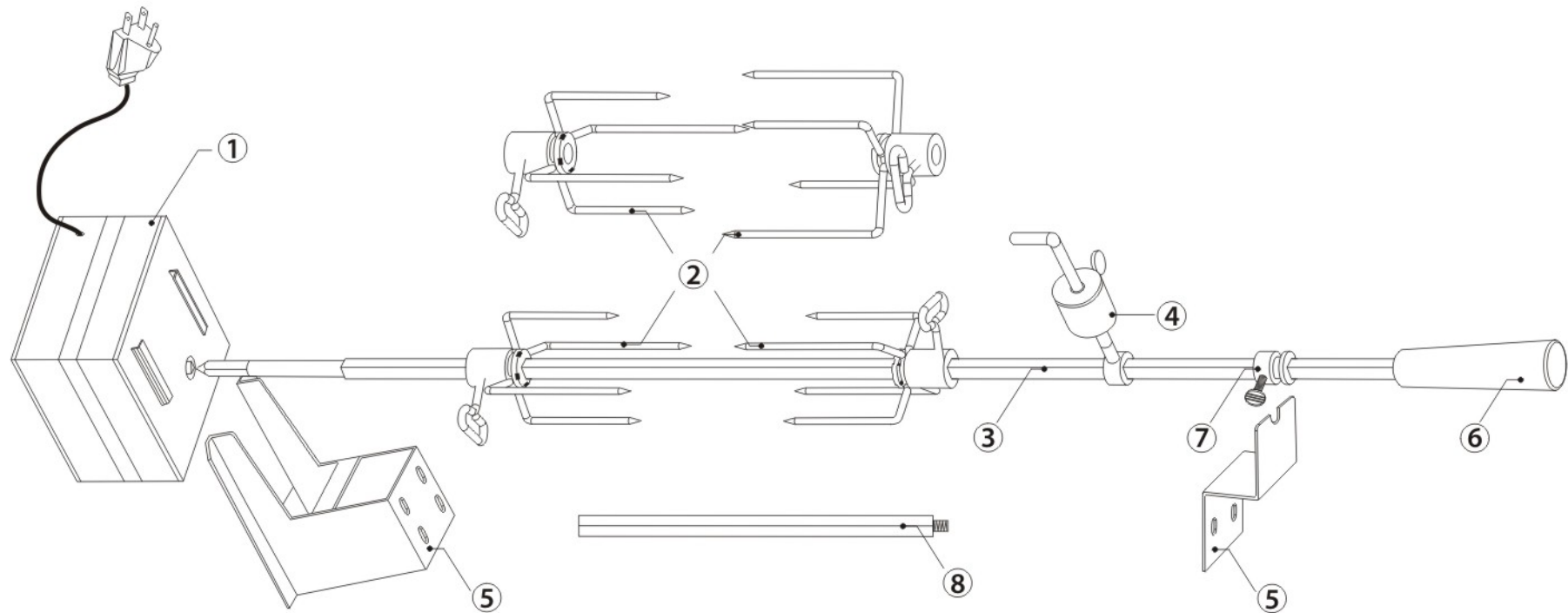


Cuisinart®

Universal Rotisserie

Instruction Manual

085-3689-2



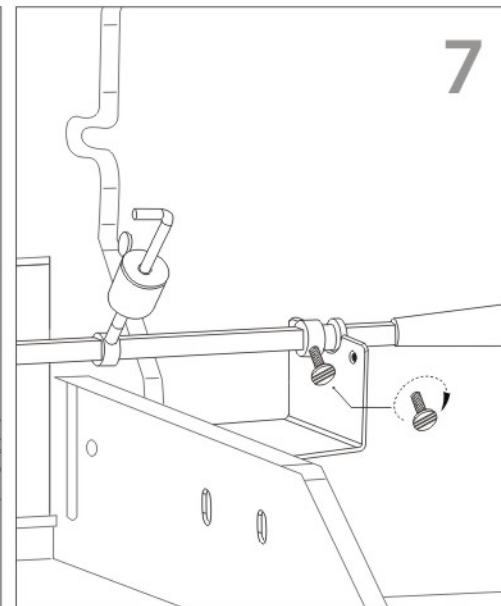
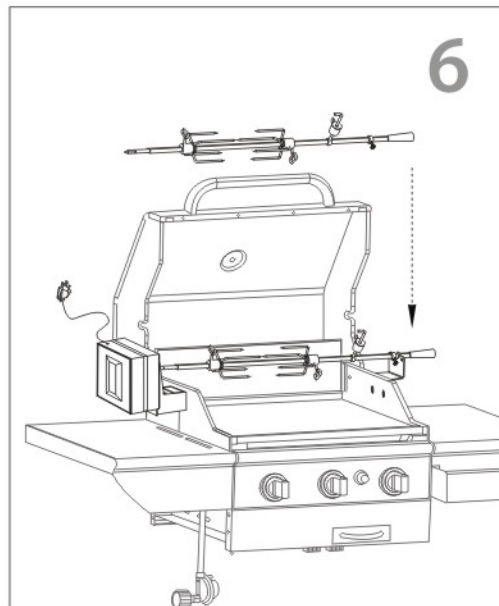
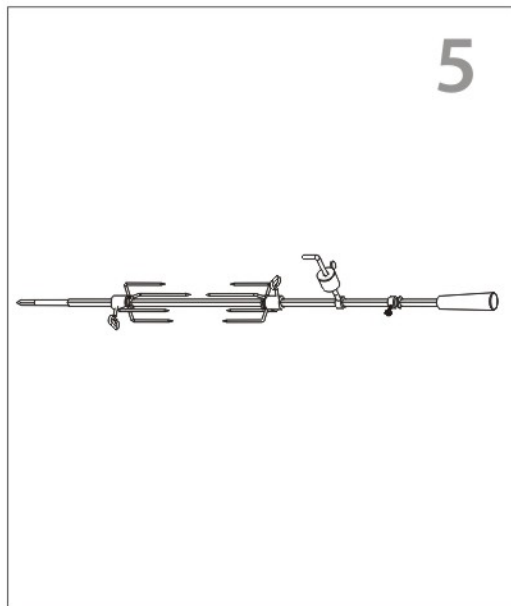
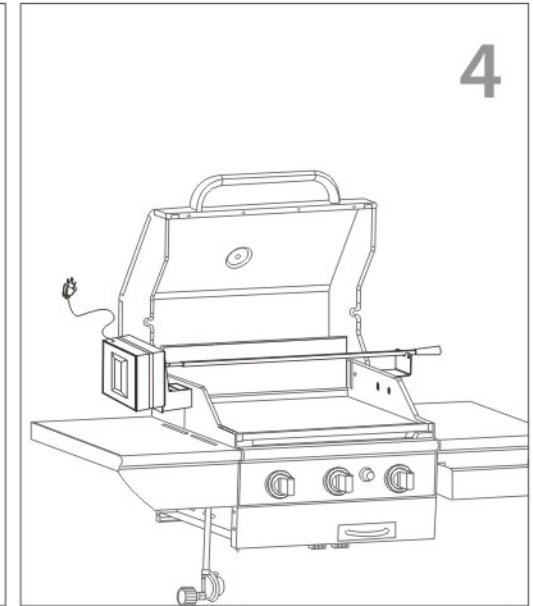
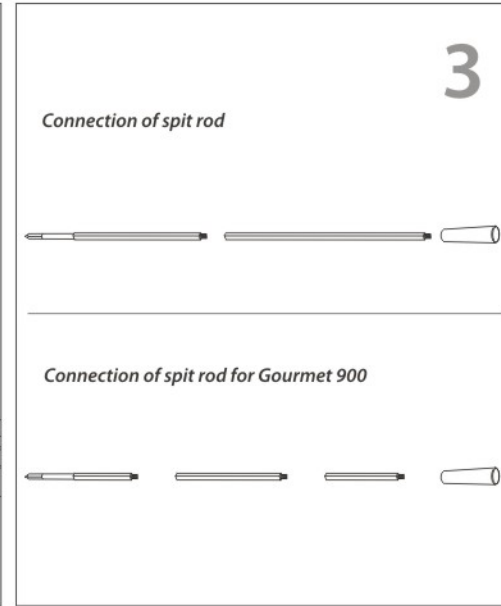
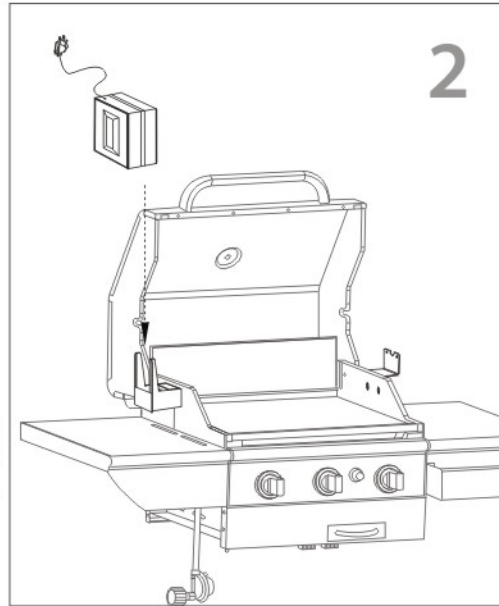
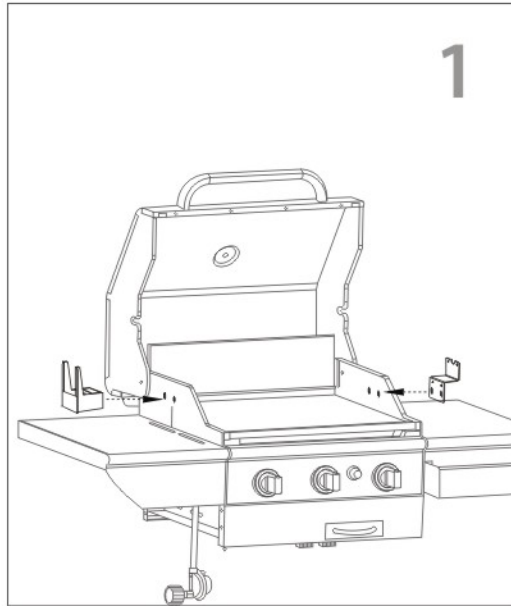
EACH KIT CONTAINS:

- ① STAINLESS STEEL ROTISSERIE MOTOR X1
- ② HEAVY DUTY MEAT FORKS X4
- ③ HEAVY DUTY SPIT ROD (2 PCS) X1
- ④ COUNTERWEIGHT ASSEMBLY X1
- ⑤ MOUNTING BRACKETS X2
- ⑥ HANDLE X1
- ⑦ LOCKING COLLAR X1
- ⑧ EXTENSION ROD X1 (Length: 6") For use on Cuisinart Gourmet 900

UNIVERSAL ROTISSERIE 085-3689-2

Cuisinart Gourmet 600 / 700 / 800 / 900

Rotisserie Installation Instructions:



1. Using screws, washers and nuts provided, attach motor bracket to the left side and spit rod bracket to the opposite side of the barbecue.
2. Insert motor into the motor bracket.
(Please note: to ensure correct placement, please ensure the electric cord is positioned on the top of the motor when placed in the mount.)
3. Connect the spit rod and the handle.
(Note: extension rod needed for use on the Cuisinart Gourmet 900 BBQ)
4. Check and ensure the spit rod is sitting level with the top edge of the barbecue. Close the lid to ensure the mounting brackets and motor do not interfere with normal operation. Once confirmed, tighten all screws on the mounting brackets.
5. Attach spit forks, counter-weight and locking collar to the rod.
6. Insert one end of the spit rod into the spit rod holder on the motor and the other end with locking collar into the spit rod bracket.
7. Secure the spit rod and tighten locking collar thumbscrew.

Tips for counter-weight assembly: Place the counter-weight on the inside of the firebox

Caution: It is not recommended to use the side burner while rotisserie cooking.